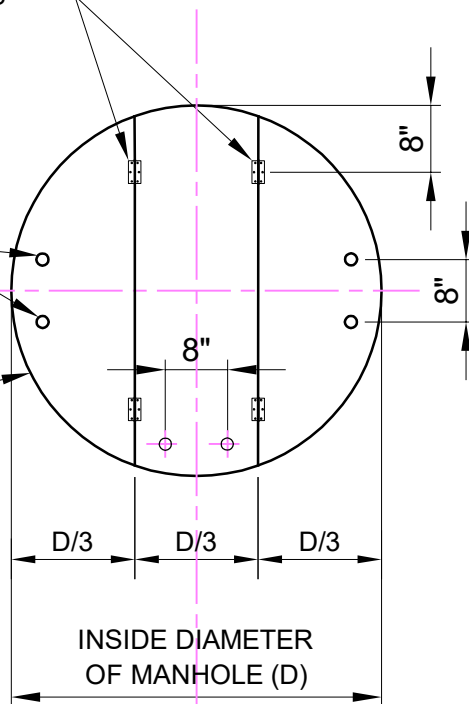


METAL STRAP HINGES
(MIN. 3" LONG) WITH
BOLTS (TYP OF 4)

5/8" HOLE FOR 1/2"
NYLON ROPE
HANDLES
(TYP OF 6)

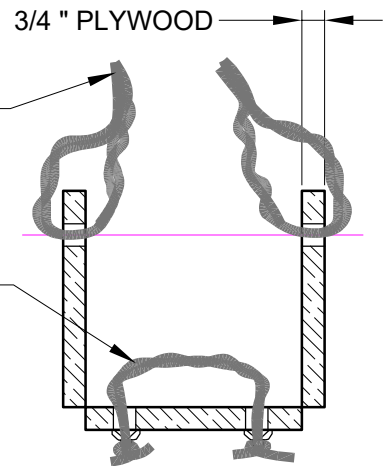
3/4" PLYWOOD



PLAN VIEW

NOTES:

1. FALSE MANHOLE BOTTOM SHALL BE FURNISHED AND INSTALLED IN ALL MANHOLES CONSTRUCTED IN ADVANCE OF PAVING, GRINDING, OR OTHER STREET REHABILITATION WORK. THESE FALSE MANHOLE BOTTOMS WILL BE INSTALLED AT A TIME DIRECTED BY FSSD.
2. FALSE MANHOLE BOTTOM SHALL BE REMOVED AFTER THE FINAL APPURTENANCE ADJUSTMENT INSPECTION. THE PAVING CONTRACTOR AND FSSD WILL COORDINATE THE REMOVAL OF THE FALSE MANHOLE BOTTOMS.

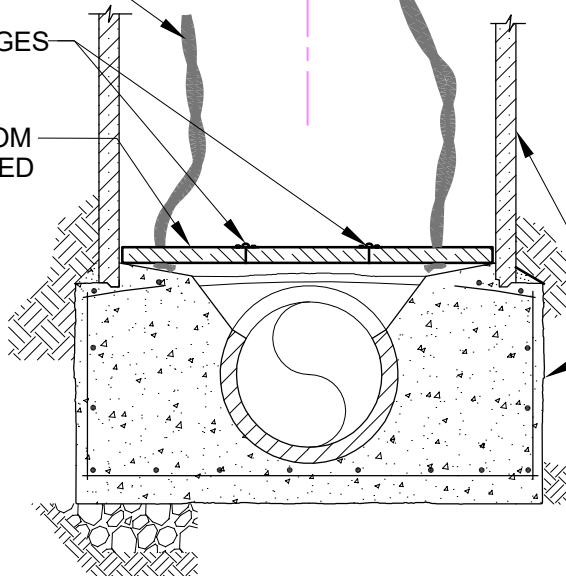


ENLARGED DETAIL

EXTEND ROPE
TO TOP OF MH

HINGES

FALSE BOTTOM
SEE ENLARGED
DETAIL



BASE SECTION

EXTEND ROPE
TO TOP OF MH

NYLON
ROPE
HANDLE

FSSD STD MANHOLE

Detail-07_FalseBottom.dwg



**FAIRFIELD-SUISUN
SEWER DISTRICT**
1010 CHADBOURNE RD.
FAIRFIELD, CA 94534-9700
(707) 429-8930 PH
(707) 429-1280 FX

PUMP STATION AND COLLECTION SYSTEM DESIGN STANDARDS

FALSE BOTTOM DETAIL

NOT TO SCALE

DETAIL NO.

7

DATE
7/30/2021